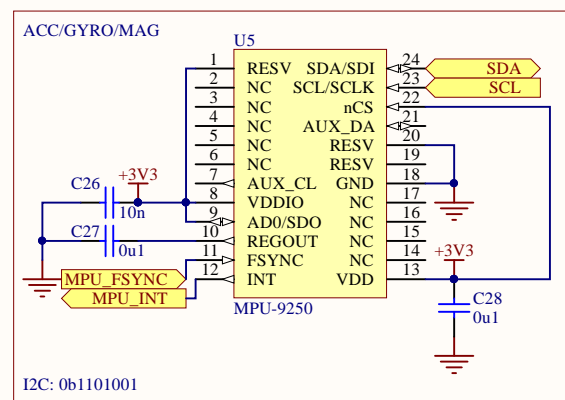
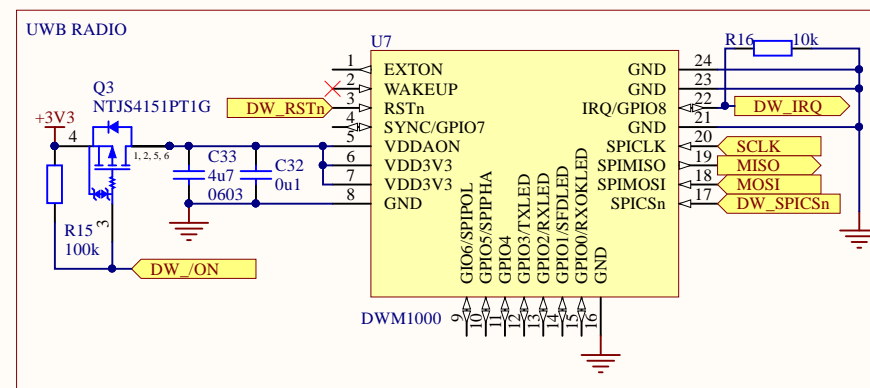
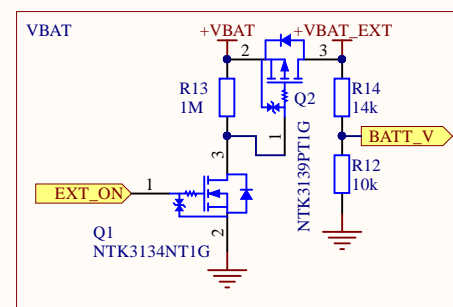


I/O

GPIO	TP	PCB label
GPIO0	TP13	0
GPIO1	TP11	1
GPIO2	TP14	2
GPIO3	TP12	3
GPIO4	TP10	4
GPIO5	TP9	5
GPIO6	TP4	6
SCL	TP15	SCL
SDA	TP16	SDA

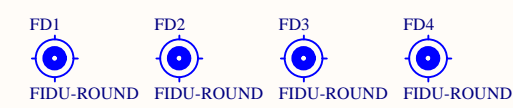
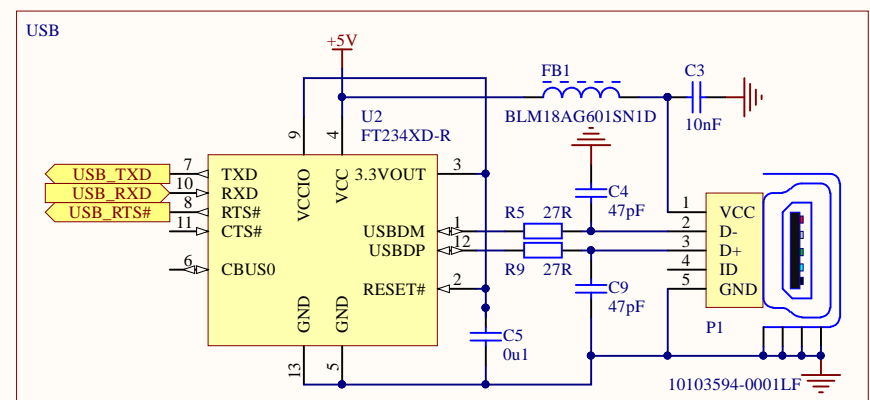
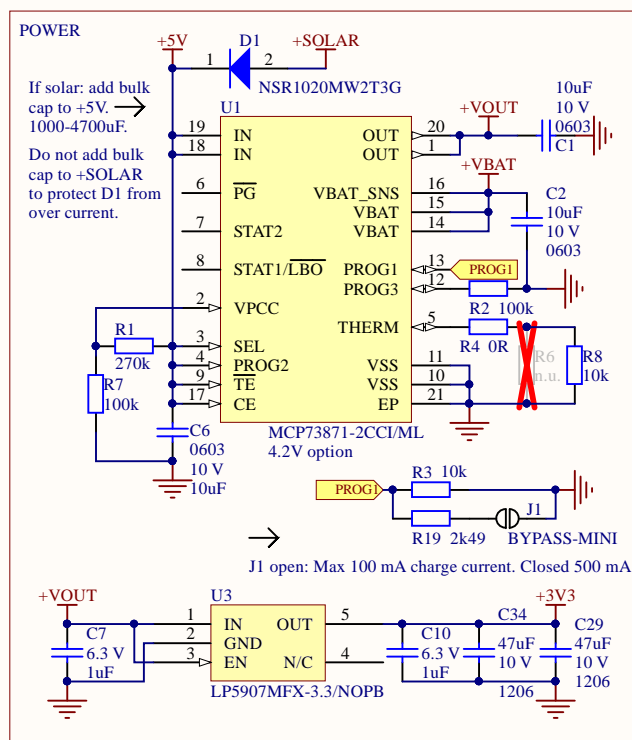
SWD

SWDIO	TP	PCB label
SWDIO	TP1	D
SWDCLK	TP8	C
RESET	TP7	R
+3V3	TP3	3V3
GND	TP5	GND

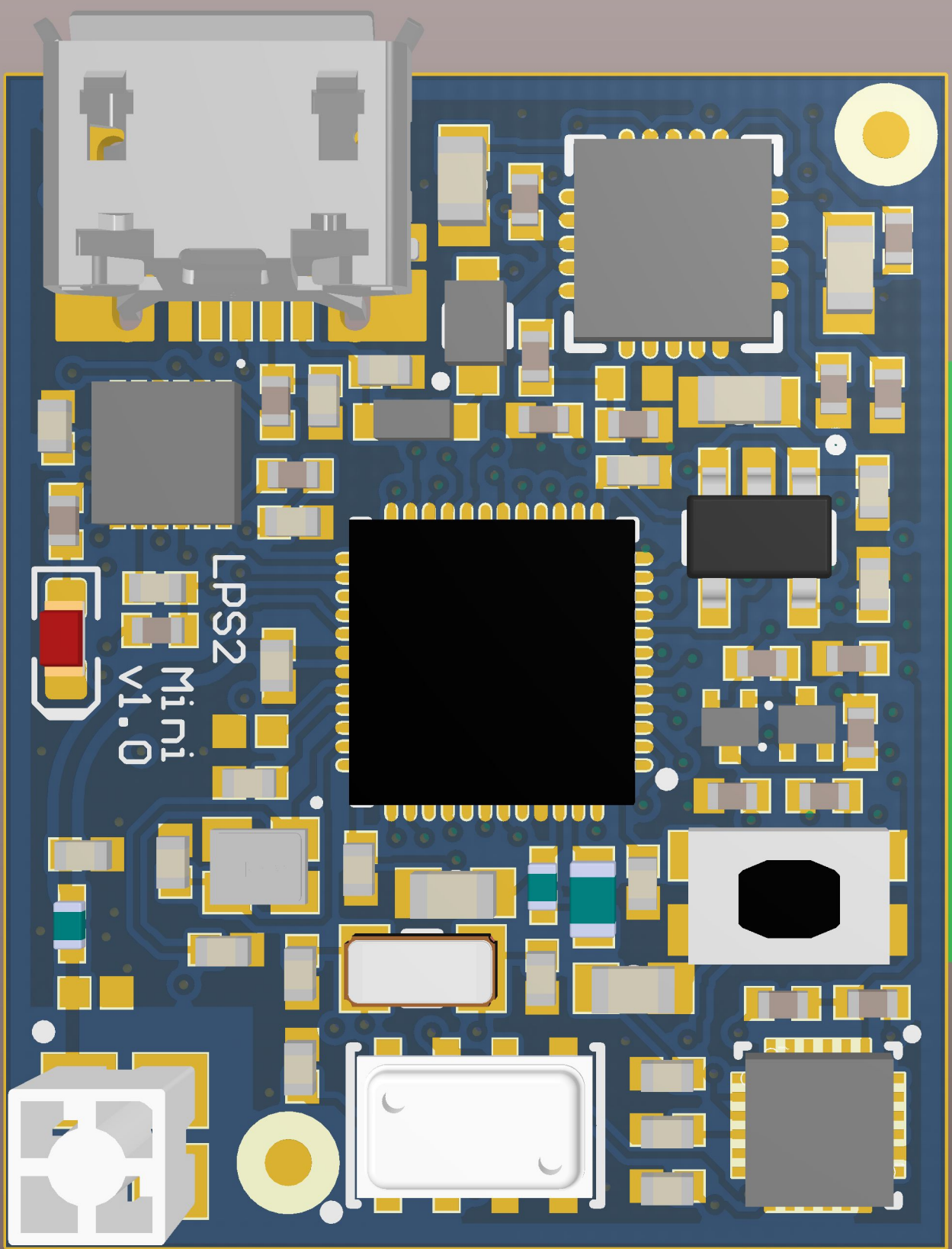


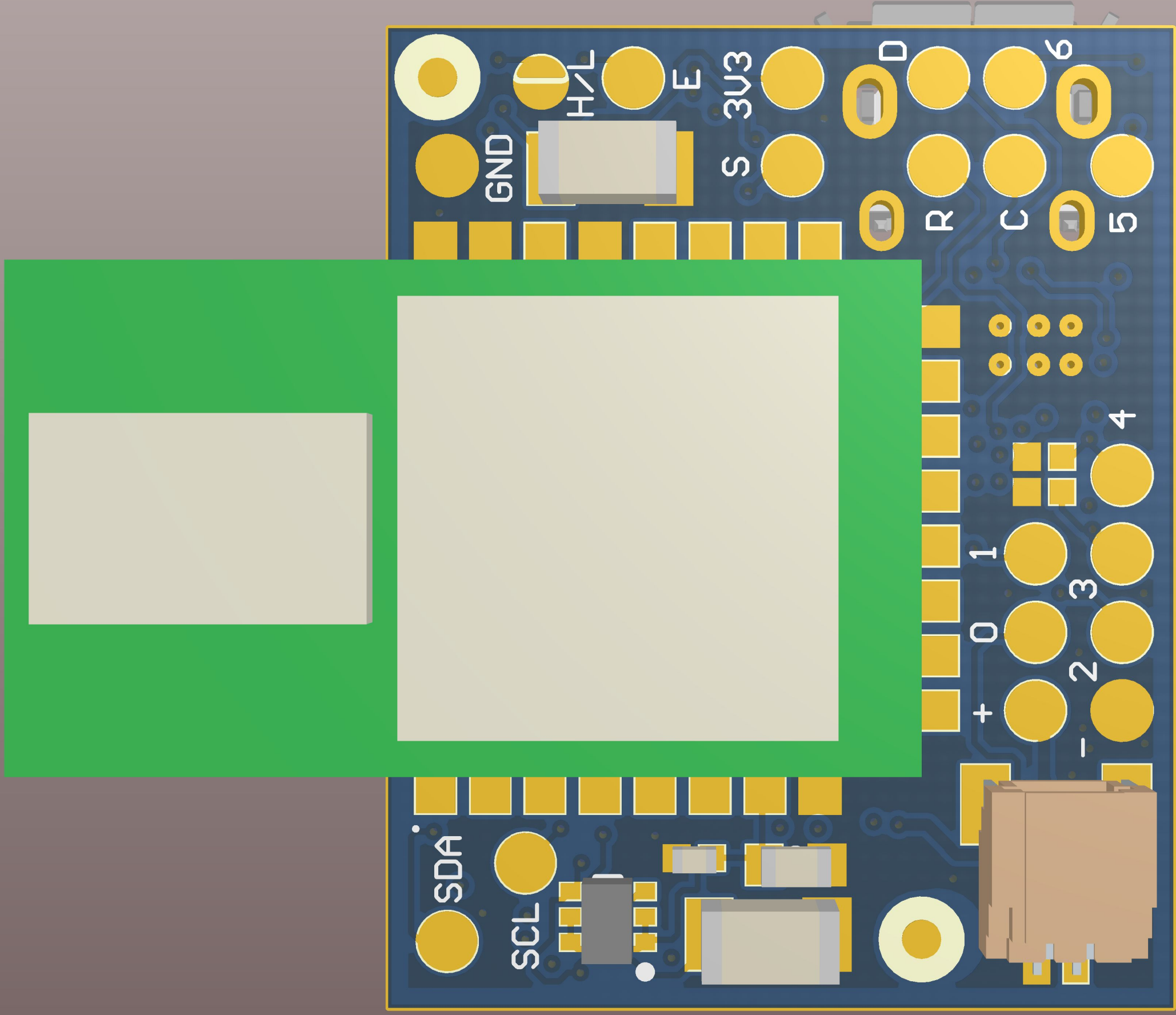
PWR

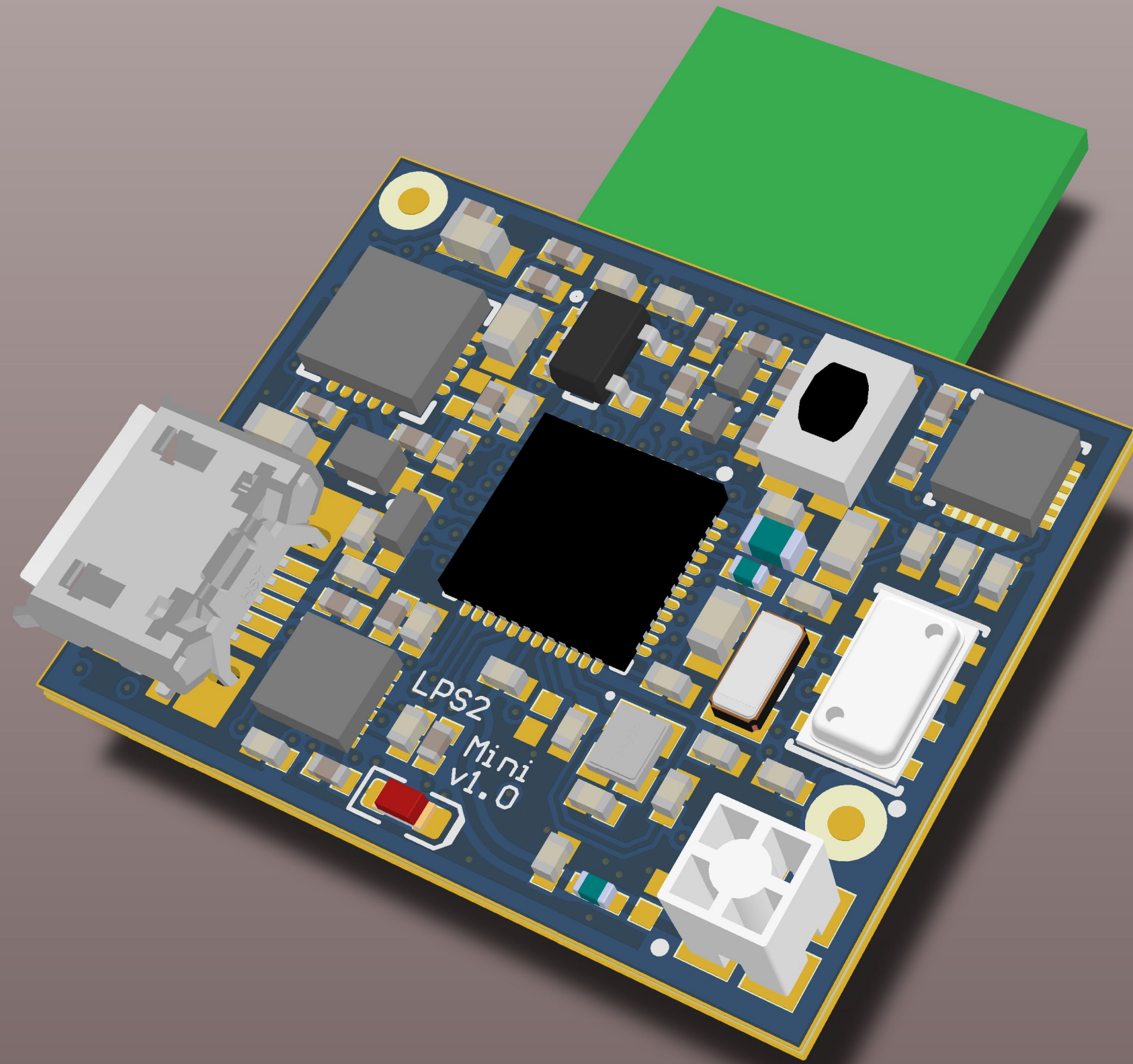
TP	PCB label
TP17	+
TP18	-
TP6	S
TP2	E

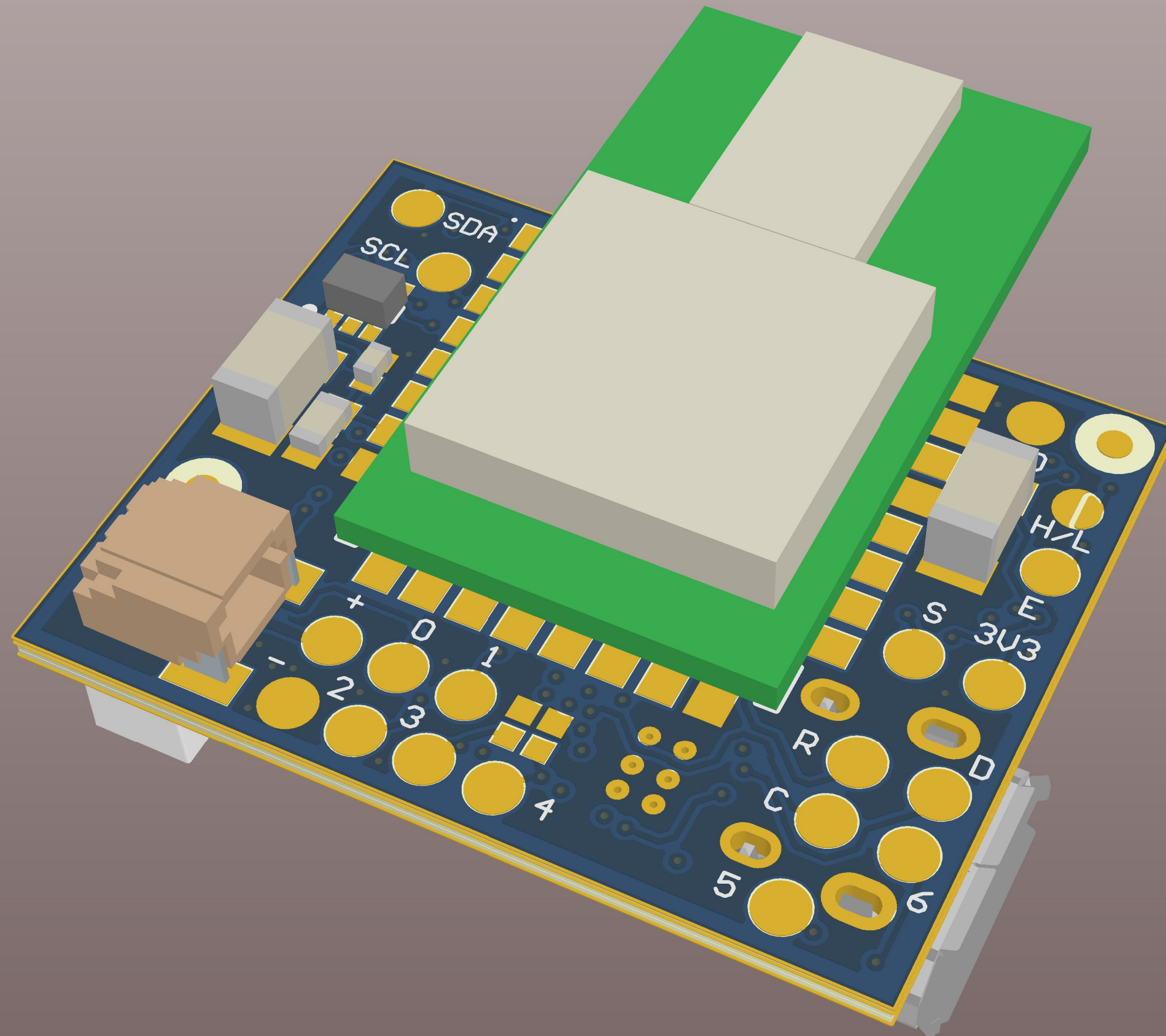


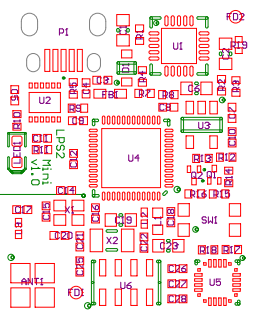
Title		
Size	Number	Revision
A3		
Date:	4/25/2017	Sheet of
File:	Z:\Kunder\...LPS2_mini.SchDoc	Drawn By:

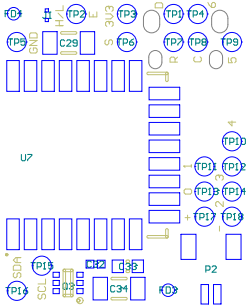







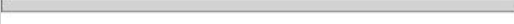







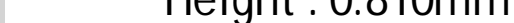









Board Stack Report

Stack Up		Layer Stack			
Layer	Board Layer Stack	Name	Material	Thickness	Constant
1		Top Paste			
2		Top Overlay			
3		Top Solder	Solder Resist	0.010mm	3.5
4		Component Side	Copper	0.047mm	
5		Dielectric 1	7628-45	0.180mm	4.4
6		Ground Plane	Copper	0.018mm	
7		Dielectric 3	FR-4	0.300mm	4.4
8		Signal Layer 1	Copper	0.018mm	
9		Dielectric 5	7628-45	0.180mm	4.4
10		Solder Side	Copper	0.047mm	
11		Bottom Solder	Solder Resist	0.010mm	3.5
12		Bottom Overlay			
13		Bottom Paste			
	Height : 0.810mm				